

ERD60

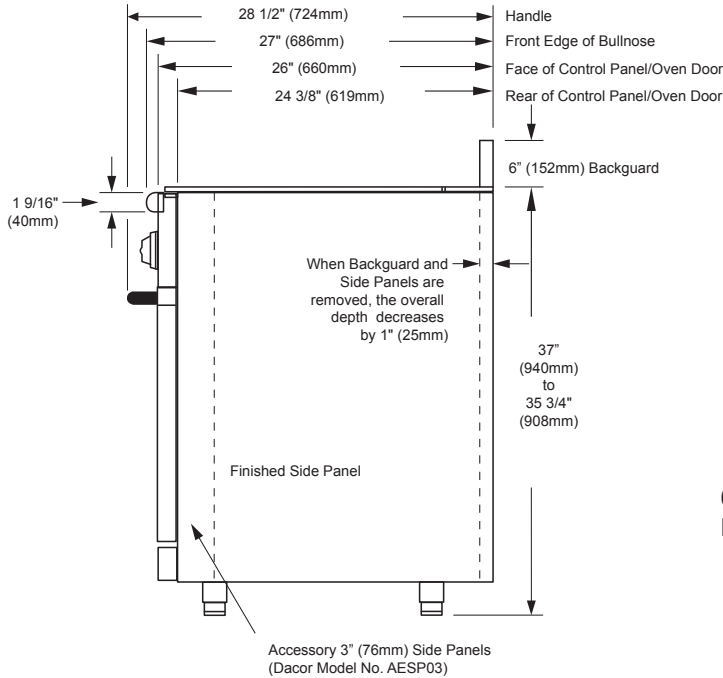


Revised
06/25/08

60" Wide, Epicure® Range

1/2

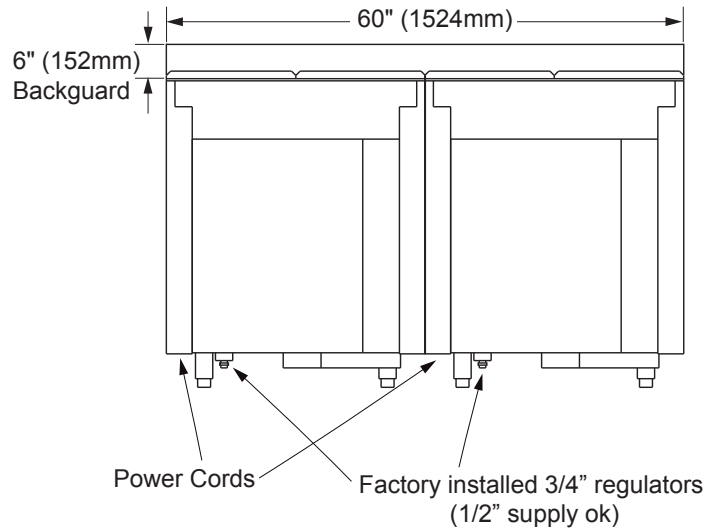
PLANNING GUIDE



**ERD/EGR30, ERD60 OVERALL DIMENSIONS
SIDE VIEW**

WARNING

- ◇ Observe all governing codes and ordinances during planning and installation. Contact your local building department for further information.
- ◇ This appliance must be installed in accordance with the accompanying installation instructions.



REAR VIEW

Dacor® Model No.	Dedicated Circuit* Required	Total Connected Load	Gas Type	Manifold Pressure	Min. Gas Supply Pressure
ERD60	240 Vac, 4-wire, 60 Hz, 30 Amp (Breaker) X2	4.1 kW (21Amp) X2	Natural	5" Water Column	6" Water Column
ERD60LP			Liquid Propane	10" Water Column	11" Water Column

*Two separate dedicated circuits are required, one for left and one for the right side of the range.

ELECTRICAL AND GAS SUPPLY REQUIREMENTS

NOTES:

1. Utilities may be located in the lower left corner of the adjacent right cabinet. (Recommended)
2. Contact your local building department to verify compliance with local code interpretation.
3. Two electrical circuits and gas supplies required.

ERD60

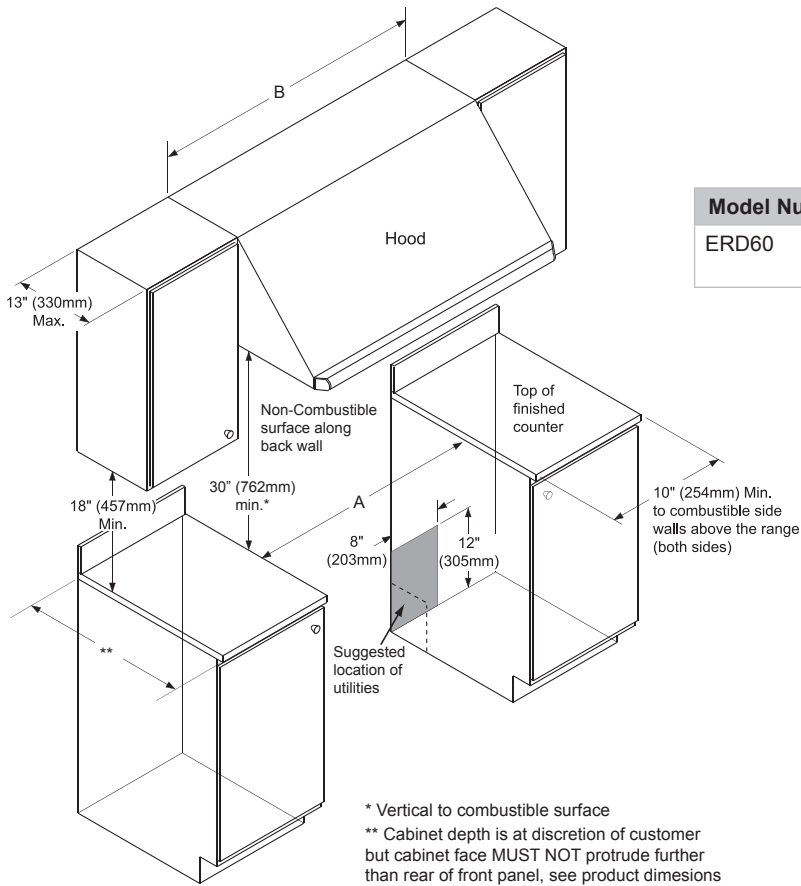
dacor
The Life of the Kitchen.®

Revised
06/25/08

60" Wide, Epicure® Range

2/2

PLANNING GUIDE

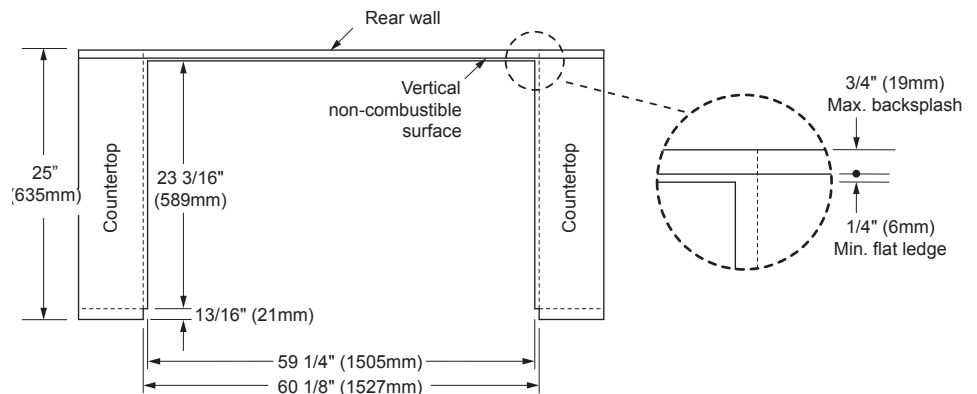


Model Number	"A" Cutout Width	"B" Hood Width
ERD60	60 1/8" (1527mm) Minimum	60" (1524mm) Recommended 66" (1676mm)

CUTOUT DIMENSIONS

COUNTERTOP CUTOUT DIMENSIONS

(Slide-In, Freestanding Installation)



CUTOUT DIMENSIONS

(Slide-In, Self-Rimming Installation with Side Panels and Backguard Removed)



NOTE:

1. When backguard is removed, the side panels must be removed.